

CB Series

CB36W2M

Weatherproof IR Bullet Camera

Maxview CB Series Weatherproof IR Bullet Camera is designed for commercial and residential surveillance, and is ideal for both indoor / outdoor applications. The CB36W2M features a high resolution with 2.1 Megapixel and outstanding image sharpness. It provides clear video image with 30m IR visible range, anti-flare double glass and intelligent IR, and IP66 Weatherproof.

Product Features

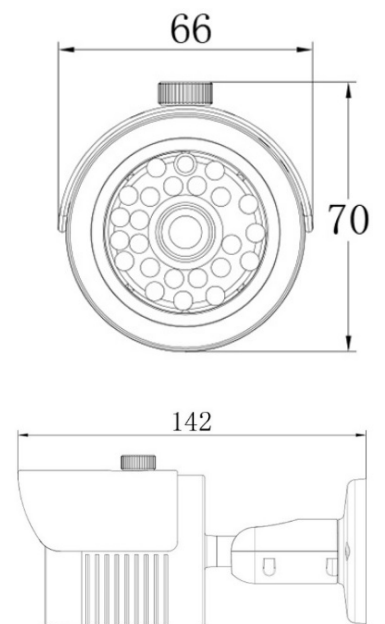
- 1/3" Panasonic 2.1 Megapixel CMOS Sensor
- HD-SDI (1080P @ 25 FPS / 30 FPS)
- WDR / BLC / HLC / D - ZOOM
- DNR (Digital Noise Reduction)
- 30M (36pcs IR LED)

Technical Specification

Model	CB36W2M
Image Sensor	1/3" Panasonic 2.1 Megapixel CMOS Sensor
Scanning System	Progressive Scan
S/N Ratio	More Than 50 dB (AGC OFF)
Resolution	1080P (1920 X 1080)
Video Output	HD-SDI / 1.0 Vp-p (75 ohm composite)
Lens	Board Lens 3.6mm
Min. Illumination	1.0 Lux (Color) / 0.5 Lux (BW)
IR Distance	30M (36pcs IR LED)
OSD	Built-in
Shutter	Auto / FLK / 1/25, 30 sec ~ 1/60000 sec
AGC	Level Adjustable
DNR	Low / Middle / High
Digital ZOOM	1.0X ~ 8.0X
D Effect	Mirror / Flip / D-ZOOM / Defog
Back Light	HLC / BLC / WDR
Voltage / Current	DC12V +- 10% / 210 mA (500 mA when IR on)
Weatherproof	IP66
Operating	-10°C ~ 50°C (14°F ~ 122°F)
Dimension	142 x 66 x 77 (mm)
Weight	500g



DIMENSION



unit: mm