

## CD Series

### Indoor IR Dome Camera

Maxview CD Series Indoor IR Dome Camera is designed for commercial and residential surveillance, and is ideal for any indoor applications. The CDIP36W2M features a high resolution with 2.4 Megapixel and outstanding image sharpness. It provides clear video image with 15m IR visible range, anti-flare double glass and intelligent IR.

### Product Features

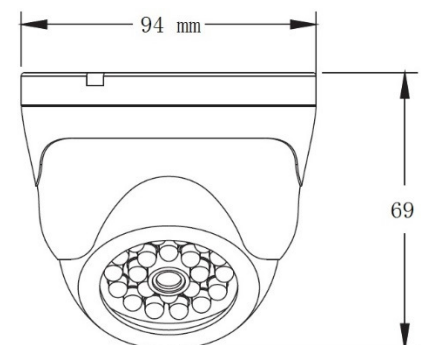
- 1/2.8" Sony 2.4 Megapixel CMOS Sensor
- Full HD 1080P Resolution
- Power Over Ethernet (Optional)
- DNR (Digital Noise Reduction)
- 15M (24pcs IR LED)

### Technical Specification

Model	CDIP36W2M
Image Sensor	1/2.8" Sony 2.4 Megapixel CMOS Sensor
Scanning System	Progressive Scan
S/N Ratio	More Than 52 dB (AGC OFF)
Resolution	2.4 Megapixel 1080P (1920 X 1080)
Video Output	Network
Lens	Board Lens 3.6mm
Min. Illumination	0.01 Lux (Color)
IR Distance	15M (24pcs IR LED)
Shutter	Auto: 1/1 – 1/10000Sec; NTSC
Day / Night	Color / B&W (IR Cut)
Compression	H.264 / JPEG, Support Record AVI Format
Ethernet	RJ45 (10/100 Base – T)
Protocal	IPv4, HTTP, TCP/IP, FTP, NTP, RTSP, UDP, SMTP, DNS, DDNS
ONVIF	ONVIF 2.4
POE	Optional, Support IEEE 802.3af
Current	700 mA
Voltage	DC12V +- 10%
Operating	-10°C ~ 50°C (14°F ~ 122°F )
Dimension	69 x 94 (mm)
Weight	450g



DIMENSION



unit: mm