

CD Series

Indoor IR Dome Camera (AHD / TVI / CVI)

Maxview CD Series Indoor IR Dome Camera is designed for commercial and residential surveillance, and is ideal for any indoor applications. The CD36W1K-H features a high resolution with 1080P Full HD (2 Megapixel) and outstanding image sharpness. It provides clear video image with 15m IR visible range, anti-flare double glass and intelligent IR.

Product Features

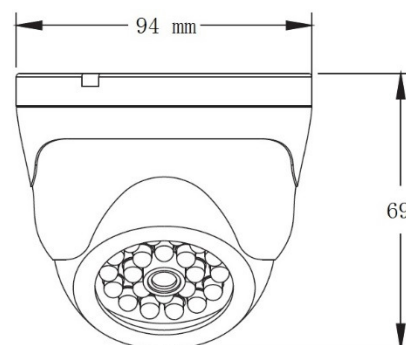
- 1 / 2.9" Sony 2 Megapixel Sensor
- AHD / TVI / CVI Hybrid Camera
- 1080P Full HD Resolution (2 Megapixel)
- IP66 Weatherproof
- Vandal Proof
- DNR (Digital Noise Reduction)
- 15M (24pcs IR LED)

Technical Specification

Model	CD36W1K-ATC
Image Sensor	1 / 2.9" Sony 2 Megapixel Sensor
Resolution	1080P (2 Megapixel)
Pixels	1920(H) X 1080(V)
TV System	PAL / NTSC
Lens	Board Lens 3.6mm
Synchronizing System	2:1 Internal
IR Distance	15m (24pcs IR LED)
Min. Illumination	0.001 Lux / F2.0
S/N Ratio	More Than 50 dB (AGC OFF)
Gamma Correction	0.45
Video Output	Composite Signal (1.0 Vp-p, 75 Ohm)
Shutter	Auto: PAL 1/50 ~ 1/100,000 sec; NTSC 1/60 ~ 1/100,000 sec
Operating	-10°C ~ 50°C , RH 95% Max
Storage	-20°C ~ 60°C , RH 95% Max
White Balance	Auto
Current	150 mA
Voltage	DC12V +- 10%
Dimension	94 x 69 (mm)
Weight	450g



DIMENSION



unit: mm